



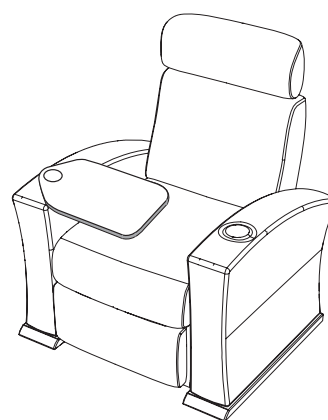
SALAMANDER SEATING



Caramel Leather with Walnut Base & Black Aluminum Cup Holders

Matteo

The Matteo is a spirited, contemporary rendition of the traditional movie-house chair. For maximum comfort, it offers an adjustable headrest and wide arms, each with a built-in cup holder of durable anodized aluminum. You can stand one alone, pair Matteos to create a loveseat or configure theater-style rows, straight or curved.



Features & Options

- Choose a manual push-on-arm or powered reclining mechanism.
- Temperature sensitive memory foam on seat bottom provides abundant comfort.
- Headrest adjusts for maximum comfort.
- Hidden footrest automatically extends.
- Modular design lets you configure loveseats or theater-style rows.
- Available in leather or microsuede in a wide variety of colors.
- Optional Tactile Sound Transducer, easily attached, lets you feel percussive cinema dynamics.
- Durable aluminum cup holders are available in silver or black anodized finishes.



Customize your Matteo by selecting any Agora leather or microsuede color. If you'd like a cup holder choose black aluminum or silver aluminum. Then select a standard manual recliner mechanism or a powered one. See actual samples at a local authorized dealer.

DESIGN YOUR OWN ONLINE
SalamanderDesigns.com

AGORA LEATHERS



EC Eclipse - 1728704



CK Chocolate - 1728705



TU Tudor - 1728706



YS Yellow Sea - 1728709



SL Street Light - 1728715



SR Sunrise - 1728710



GT Green Tea - 1728716



MI Mineral - 1728708



HV Harvest - 1728707



CA Caramel - 1880280



HG Hunter Green - 1728714



OC Ocean - 1728713



RB Ruby - 1728712



MR Mora - 1728711

AGORA MICROSUEDES



BO Bone - 1786241



PU Putty - 1728696



ST Stone - 1728695



SA Sage - 1728700



MO Moss - 1728699



BR Brandy - 1728697



ES Espresso - 1728698



AQ Aqua - 1728701



CR Cherry - 1728702

BASE TRIM



S Shark Gray



W Walnut

CUP HOLDERS

Cup holder are optional.



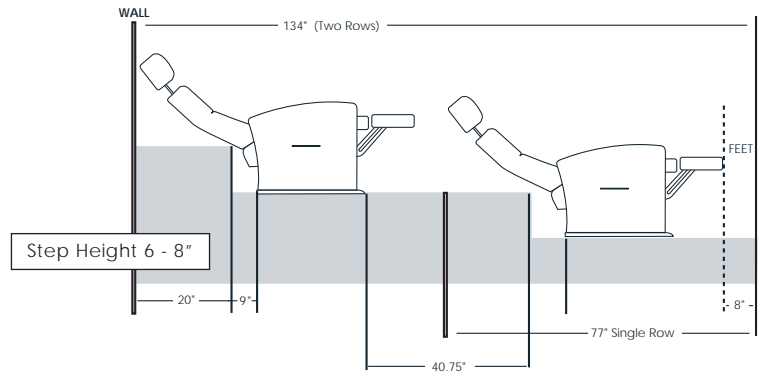
S Silver Aluminum



B Black Aluminum

Riser Row Spacing & Matteo Configuration Specifications

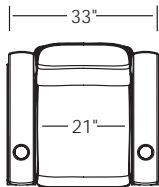
If you're contemplating a theater seating arrangement with chairs arrayed in rows, you'll want the measurements on this page.



Select a push-on-arm manual recliner or powered recliner in any Agora leather or microsuede.

Single Matteo

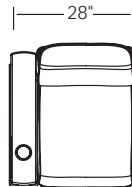
Comes with two arms and includes optional cup holders.



- | | |
|--------------------------|------------|
| Standard, All Microsuede | MAT/SC/S/S |
| Standard, All Leather | MAT/SC/S/L |
| Powered, All Microsuede | MAT/SC/P/S |
| Powered, All Leather | MAT/SC/P/L |

Right End Matteo

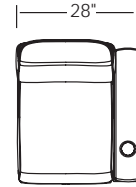
This version is designed for use at the far right side of a row and has an optional cup holder built into its one arm.



- | | |
|--------------------------|------------|
| Standard, All Microsuede | MAT/RE/S/S |
| Standard, All Leather | MAT/RE/S/L |
| Powered, All Microsuede | MAT/RE/P/S |
| Powered, All Leather | MAT/RE/P/L |

Left End Matteo

Use this version at the left side of a row. It's equipped with an optional cup holder.



- | | |
|--------------------------|------------|
| Standard, All Microsuede | MAT/LE/S/S |
| Standard, All Leather | MAT/LE/S/L |
| Powered, All Microsuede | MAT/LE/P/S |
| Powered, All Leather | MAT/LE/P/L |

Armless Matteo

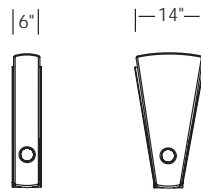
Combine this module with connectors for rows with arms between individual seats. Use straight arm connectors for straight rows and wedge-shaped arm connectors for curved rows. No connectors are needed for rows of Matteos without arms between seats.



- | | |
|--------------------------|------------|
| Standard, All Microsuede | MAT/XA/S/S |
| Standard, All Leather | MAT/XA/S/L |
| Powered, All Microsuede | MAT/XA/P/S |
| Powered, All Leather | MAT/XA/P/L |

Matteo Connectors

Link chairs with straight or wedge arm connectors to create theater-style rows.



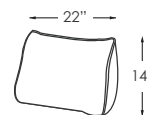
- | | |
|--------------------------|-----------|
| Straight Arm, Microsuede | MAT/SAC/S |
| Straight Arm, Leather | MAT/SAC/L |
| Wedge Arm, Microsuede | MAT/WAC/S |
| Wedge Arm, Leather | MAT/WAC/L |

Accessories



This low frequency speaker attaches easily to the underside of any Matteo to convey the powerful, percussive impact of movie sound. Wires easily to the amplifier of your entertainment system.

Transducer #229 TST229



Pillows

Matching pillows are available in any Agora leather or microsuede color.

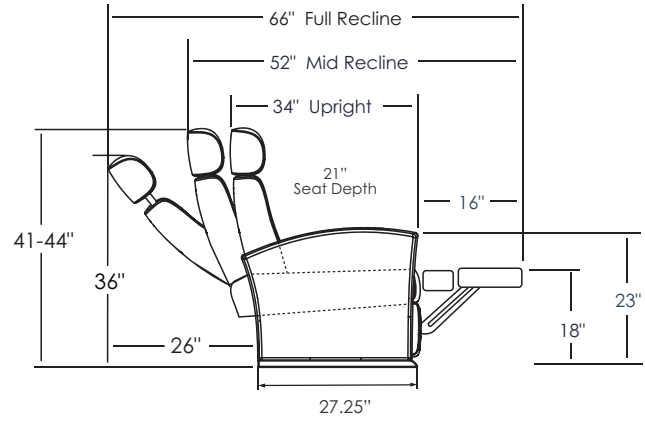
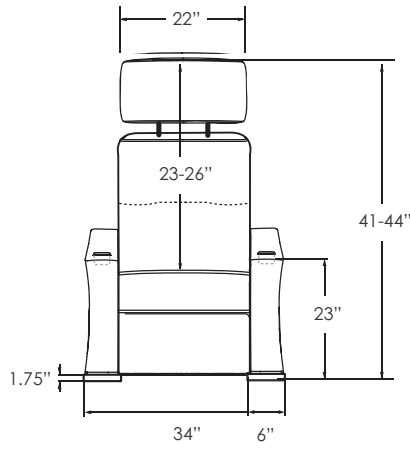
- | | |
|------------|----------|
| Microsuede | OLI/PW/S |
| Leather | OLI/PW/L |



Swivel Tablet

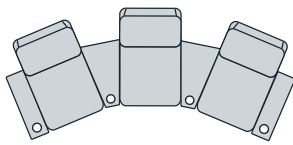
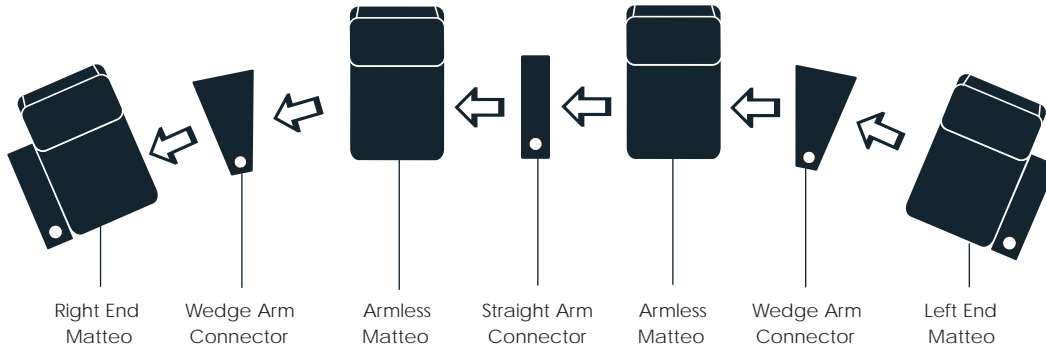
This handy surface, which serves as a desk or table, has a pivot that installs easily in the chair's cup holder. Available only in a black finish, it holds 7 lbs.

Black Tablet STB/B

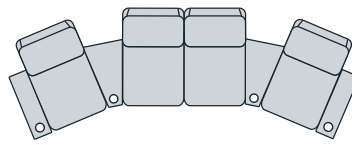


DESIGNING MODULAR SECTIONALS

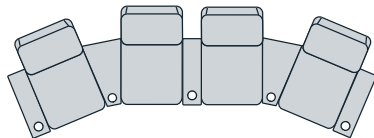
End chairs combine with chair connectors or armless chairs for straight or wedge shaped rows.
Two Armless Matteos can be joined without Connectors.



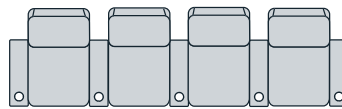
Includes: 1 Right End Matteo; 2 Wedge Arm Connectors; 1 Armless Matteo; and 1 Left End Matteo



Includes: 1 Right End Matteo; 2 Wedge Arm Connectors; 2 Armless Matteos; and 1 Left End Matteo



Includes: 1 Right End Matteo; 2 Wedge Arm Connectors; 1 Straight Arm Connector; 2 Armless Matteos; and 1 Left End Matteo



Includes: 1 Right End Matteo; 3 Straight Arm Connectors; 2 Armless Matteos; and 1 Left End Matteo



Customize your theater seating
at www.SalamanderDesigns.com



SALAMANDER DESIGNS

Doc.#500-480 v.5.06

© 2006 Salamander Designs Ltd. • Phone: 800-535-5659